



NO2 ROOM

Nitrogen Dioxide Room Sensor

The NO2 Room Series monitors nitrogen dioxide (NO2) levels and is designed for the continuous monitoring of vehicle exhaust in non-hazardous areas. This series uses a wide spectrum, electrochemical sensor to measure the amount of nitrogen dioxide in the environment. It is offered with an operating range of 0 to 6 ppm. ACI's NO2 Room transmitter is offered in a standard NEMA 1 rated ABS Polycarbonate plastic enclosure. Other options include an LCD display with (2) SPDT Form 1C relays and a buzzer. Refer to all applicable Federal, State, Provincial and Local Health and Safety laws and regulations before using these products. NO2-R is not compatible with the Q4C-II or Q-controllers.

Applications: Parking Garages, Arenas, Warehouses, Loading Docks, Service Garages, School Bus Parking Areas

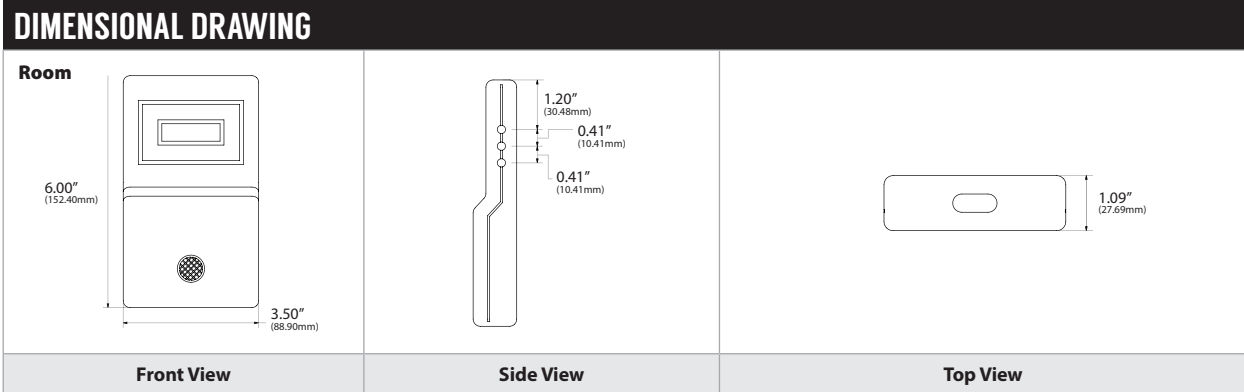
The NO2 Room Series Gas Transmitters are covered by ACI's Two (2) Year Limited Warranty against defects in material and workmanship from the date of shipment with the exception of the Sensor Modules (Electrochemical/Toxic: Six Months and Catalytic/Combustible: One Year). The warranty can be found in the front of ACI's Sensors & Transmitters catalog, as well as on ACI's website, workaci.com.

PRODUCT SPECIFICATIONS

Supply Voltage:	24 VAC +/- 10% Floating; 24 VAC +/- 10%, One side Grounded; 24 VDC
Supply Current:	100 mA nominal 250 mA maximum
Power Usage:	6.6 Watts maximum
Operating Temperature:	-4°F to 104°F (-20°C to 40°C)
Operating Humidity:	15 to 90% RH Continuous, non-condensing; 0 to 99% RH Intermittent, non-condensing
Accuracy:	+/- 2.5% of Reading
Repeatability:	+/- 1% of Reading
Operating Pressure:	Atmospheric +/- 10%
Response Time:	Less than 60 Seconds for 90% of step change
Sensor Type:	Electrochemical
Sensor Life:	2-3 years under Normal Conditions
Factory Set Range:	0 to 6 ppm 0 to 10 ppm Field Adjustable
Coverage Area:	7500 sq. ft; 49' Radius
Indicators:	Alphanumeric, 2 line x 8 digit LCD / (2) Red LED's for Relay Status
Mounting Height:	6 to 18" above the floor
Analog Outputs:	Analog 4-20 mA or 2-10V Jumper Selectable
Relay & Buzzer (Optional):	Two SPDT Form C, Dry Contact, 1A @ 30 VDC/0.5A @ 125 VAC (Resistive Load), Buzzer Rating 85 dB @ one foot
Relay Life Expectancy:	200,000 cycles minimum with 1A @ 30 VDC
Time Delays:	Actuation / De-Actuation: 0 to 60 Minutes in 5 minute Increments
Storage:	32° to 68°F (0°C to 20°C)
Unit Shelf Life:	6 months from date of purchase
Enclosures:	Room: Polycarbonate/ABS Blend
Terminal Blocks:	Power wiring: 16 to 26 AWG (0.2 to 1.00 mm ²) Shielded Twisted Pair
Terminal Block Torque Rating:	0.37 ft-lbs (0.5n-3m) Nominal
Communication Wiring:	Beldon 9841 or equal
Product Dimensions:	Room: (H) 6.00" (152.4 mm) x (W) 3.5" (88.9 mm) x (D) 1.09" (27.87 mm)
Product Weight:	Room: 0.62 lbs (281.2 g)

Note: Sensors and system should be scheduled to be tested for accuracy and functionality every 6 months for toxic, and every 3 months for combustible | Recalibrate or replace sensor boards if necessary | When installed @ > 3000' above sea level, the gas transmitters must be verified for accuracy & re-calibrated as needed after installation





STANDARD ORDERING

Model # Example: **NO2-R-4X** -OR- **111575**

Model #	Item #	Description
NO2-R	102593	NO2 Room Mount, Standard Room Enclosure
NO2-R-RB-D	108397	NO2 Room Mount with Display, Relays (2 x SPDT), Buzzer, Standard Room Enclosure

ACCESSORIES ORDERING

Model # Example: **83830-020-000** -OR- **127649**

Model #	Item #	Description
83830-020-000	127649	Calibration Adapter
6300-0035	128873	Replacement NO2 Sensing Element
CUSTOM CAL KIT*	148426	Gas Cal Kit

Note*: Refer to GAS CAL KIT data sheet for specific's